

## QDRHA-1000-18000-S

1~18GHz, SMA

Features:  
\* Broadband

Applications:  
\* Wireless  
\* Transceiver  
\* Laboratory Test  
\* Broadcast

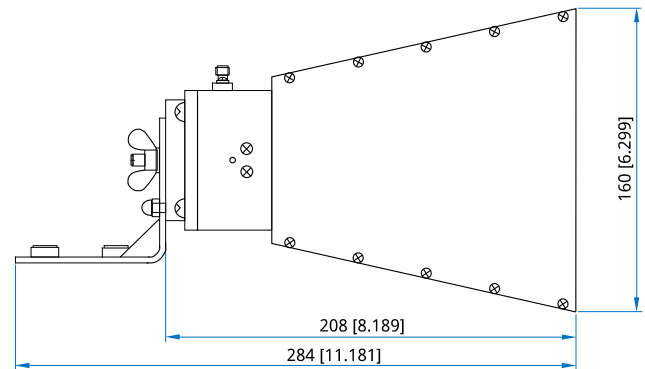
### Electrical

Frequency:	1~18GHz
VSWR:	2.5 max.
Gain:	10.7dB min.
H Plane Beam Width:	7.04°~72.58°
E Plane Beam Width:	8.94°~50.8°

### Mechanical

Size:	284*160mm 11.181*6.299in
Connectors:	SMA female

### Outline Drawings



Unit: mm [in]

Tolerance:  $\pm 0.2$ mm [ $\pm 0.008$ in]

### How To Order

**QDRHA-1000-18000-S**

Customization is available upon request.